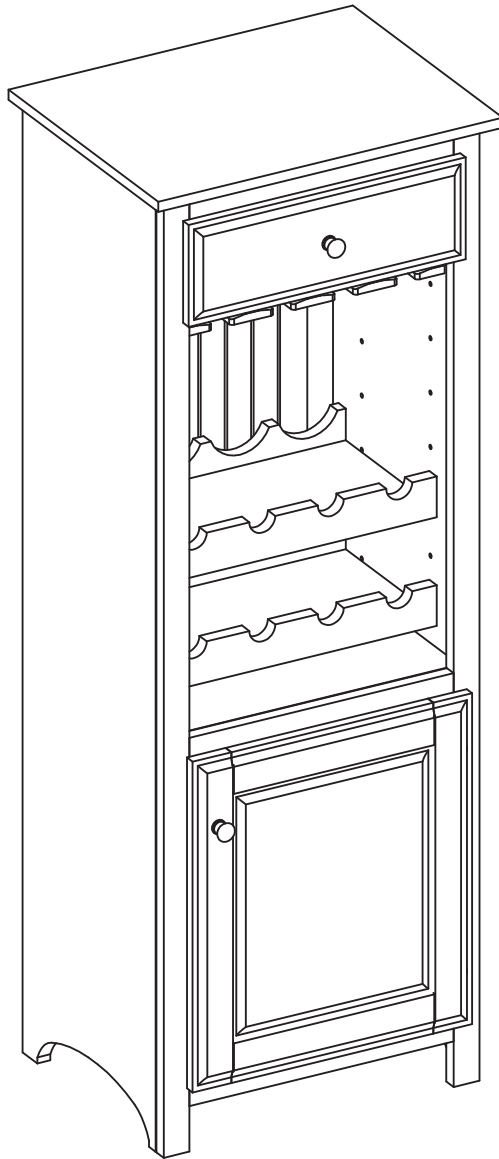


ASSEMBLY INSTRUCTIONS



Description : WINE CABINET
Item No. : CU-140

ITEM NO.: CU-140
REVISED JUL 07, 2018

Printed in Vietnam

BEFORE ASSEMBLY

Thank you for purchasing this quality product. This product has been designed for easy assembly and constructed for durability. All parts were checked prior to packaging to insure quality. Prior to beginning assembly, however, make sure all parts and hardware are included and free of obvious defect. If a part is missing or defective, please contact the store where purchased. If hardware is missing, or you need help with assembly, please call toll free 888-944-8396.

IMPORTANT NOTE:

- Place all wooden parts on a clean and smooth surface such as a rug or carpet to avoid the parts from being scratched.
- Remove all wrapping material, including staples & packing straps before you start to assemble.
- DO NOT tighten all screws and bolts until completely assembled.
- Keep all hardware parts out of reach of children.

WARNING:

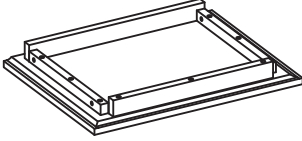
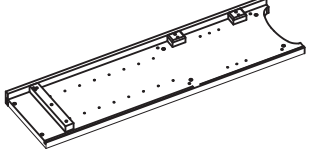
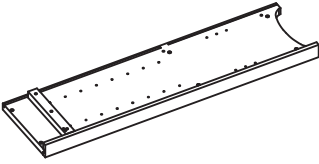
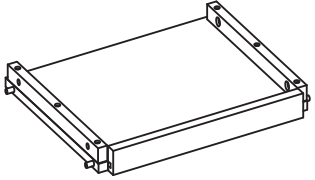
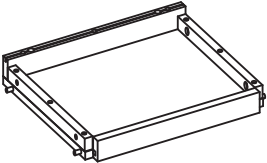
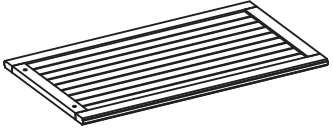
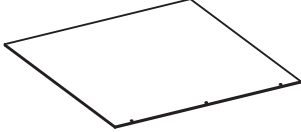
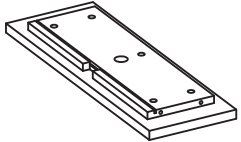
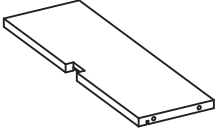
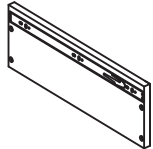
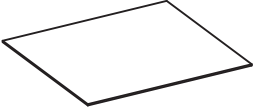
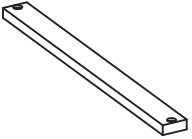
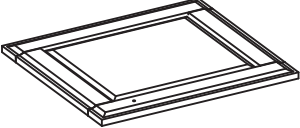
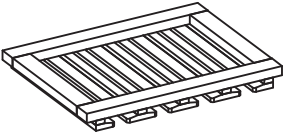
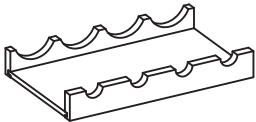
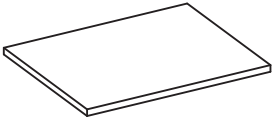
Long exposure to rubber or soft plastic may cause a chemical reaction and damage the finish of your product. Protect the surface of the product with cloth if you are using any product with rubber feet or base.

ASSEMBLY TOOLS REQUIRED NOT INCLUDED



PART LIST CU-140

When unpacking, please be careful not to discard any parts with the packaging. Before continuing, please make sure you have the following parts:


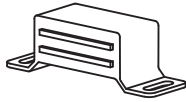

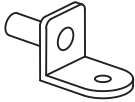



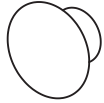

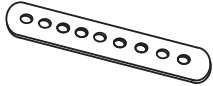

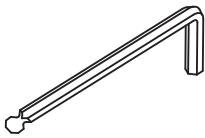

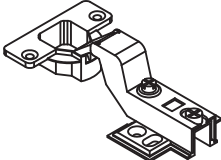
NO	Description	Qty	Sketch	NO	Description	Qty	Sketch
A	Top	1		B	Right Side panel	1	
C	Left Side panel	1		D	Bottom	1	
E	Fixed shelf	1		F	Back panel	1	
G	Back	1		H	Drawer front	1	
I	Drawer back	1		J	Drawer side (L-R)	2	
K	Drawer bottom	1		L	Support bar	1	
M	Door	1		N	Glass rack	1	
O	Wine rack	2		P	Adjustable shelf	1	

ITEM NO.: CU-140
REVISED JUL 07, 2018

Printed in Vietnam

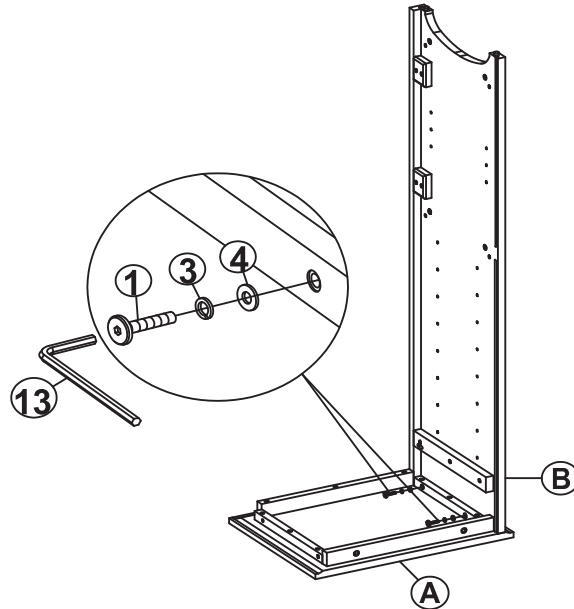
HARDWARE LIST

When unpacking, please be careful not to discard any parts with the packaging. Before continuing, please make sure you have all of the following hardware:

NO	Description	Qty	Sketch	NO	Description	Qty	Sketch
1	Short Bolt (M6 x 30mm)	14		8	Magnet	1	
2	Long Bolt (M6 x 55mm)	2		9	Bracket	16	
3	Spring Washer (Φ6.5 x 11mm)	16		10	Long Pan head screw	2	
4	Flat Washer (Φ6.5 x 13mm)	16		11	Wooden Knob (Φ38 x 30mm)	2	
5	Long Screw (M4 x 35mm)	12		12	Steel band	2	
6	Short Pan head screw (M3 x 15mm)	3		13	Allen key (M4 x 30mm x 110mm)	1	
7	Short Screw (M3.5 x 15mm)	34		14	Hinge	2	

STEP 1

Attach right side panel (B) to top (A) with bolts (1), and washers (3) and (4) as shown below. Tighten with Allen key (13).

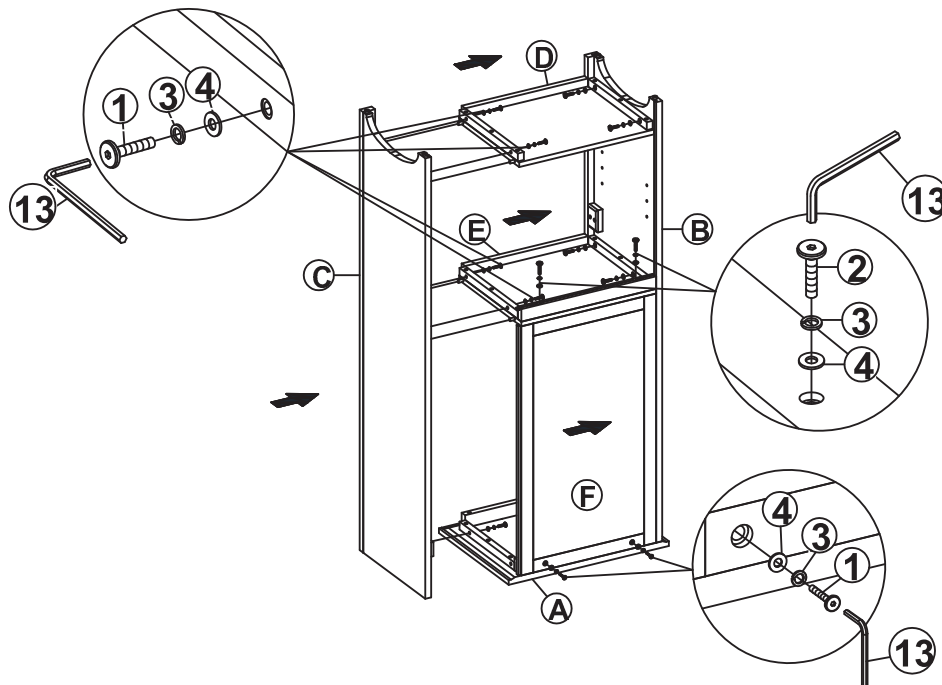


STEP 2

Attach back panel (F) to top (A) with bolts (1), and washers (3) and (4) as shown below. Tighten with Allen key (13).

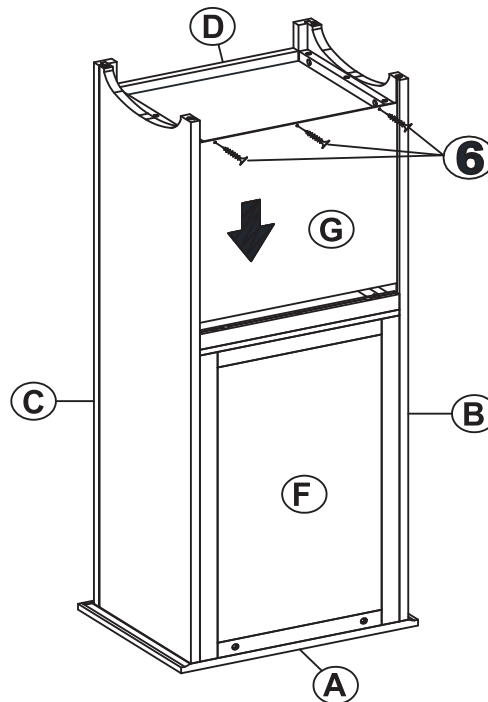
Attach side panels (B) and (C) to top (A), shelf (E) and bottom (D) with bolts (1), and washers (3) and (4) as shown below. Tighten with Allen key (13).

Attach shelf (E) to back panel (F) with bolts (2), and washers (3) and (4) as shown below. Tighten with Allen key (13).



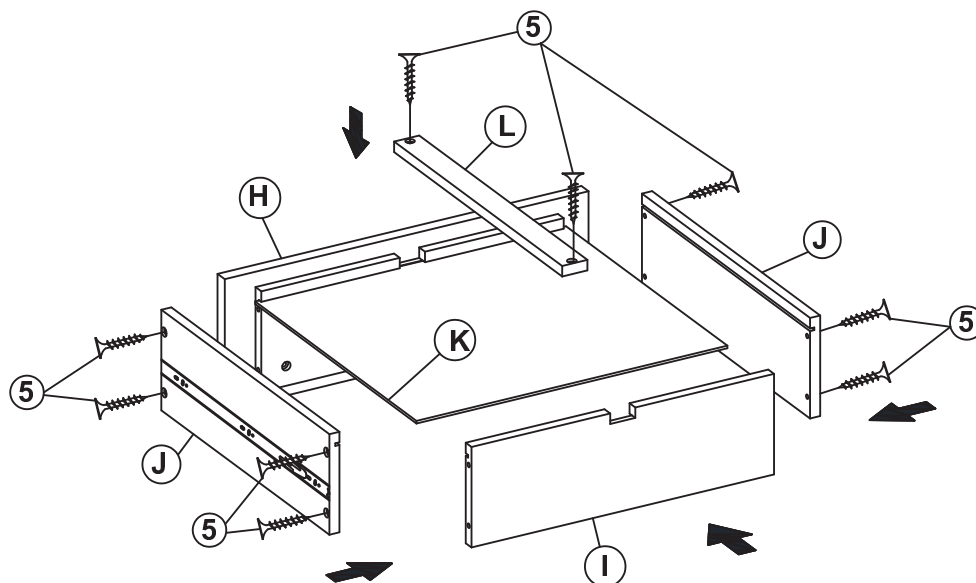
STEP 3

Slide back panel (G) into the grooves as shown below, then attach back panel (G) to bottom (D) with screws (6). Tighten with a screwdriver.



STEP 4

Attach drawer sides (J) to drawer front (H) with screws (5) as shown below. Tighten with a screwdriver. Insert drawer bottom (K) into the grooves at bottom of drawer sides (J) and drawer front (H) as shown below. Attach drawer back (I) to drawer sides (J) with screws (5) as shown below. Tighten with a screwdriver. Attach support bar (L) to bottom drawer (K) with screws (5) as shown below. Tighten with a screwdriver.



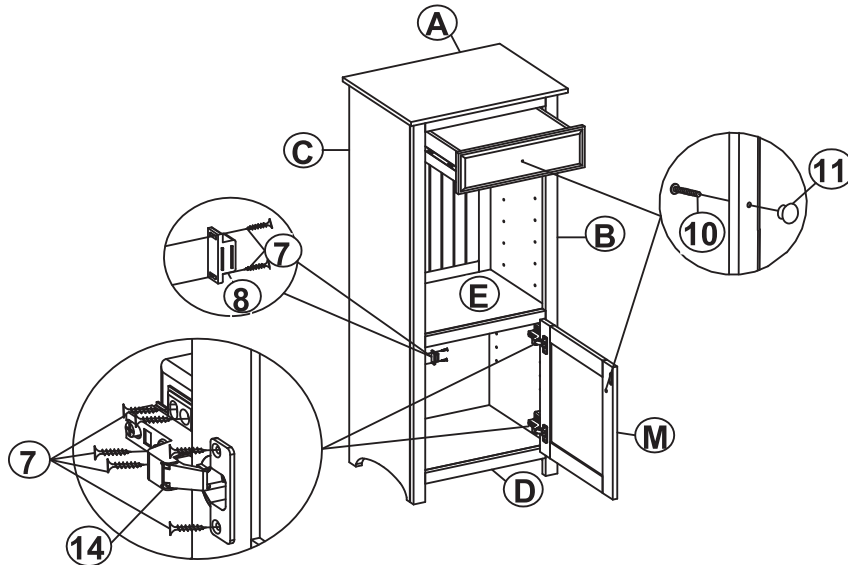
STEP 5

Carefully put the drawers into the unit.

Attach knobs (11) to front of drawer and door with pan head screws (10) as shown below. Tighten with a screwdriver.

Attach hinges (14) to door (M) and side panel (B) with screws (7) as shown below. Tighten with a screwdriver.

Attach magnets (8) side panel (C) with screws (7) as shown below. Tighten with a screwdriver.



STEP 6

Insert brackets (9) into the unit as shown below. Place glass rack (N), wine rack (O) and shelf (P) on the brackets and attach with screws (7). Tighten with a screwdriver.

Attach steel bands (12) to the unit with short screws (7) and attach the steel band to the wall with long screws (5) as shown below (to secure the product and prevent tipping). Tighten with a screwdriver.

