










THANK YOU FOR PURCHASING A PRODUCT FROM INTERNATIONAL CONCEPTS. IF YOU SHOULD REQUIRE ASSISTANCE WITH ASSEMBLY OR NEED ADDITIONAL HARDWARE, PLEASE CONTACT CUSTOMER SERVICE AT TOLL FREE 1-888-944-8396.

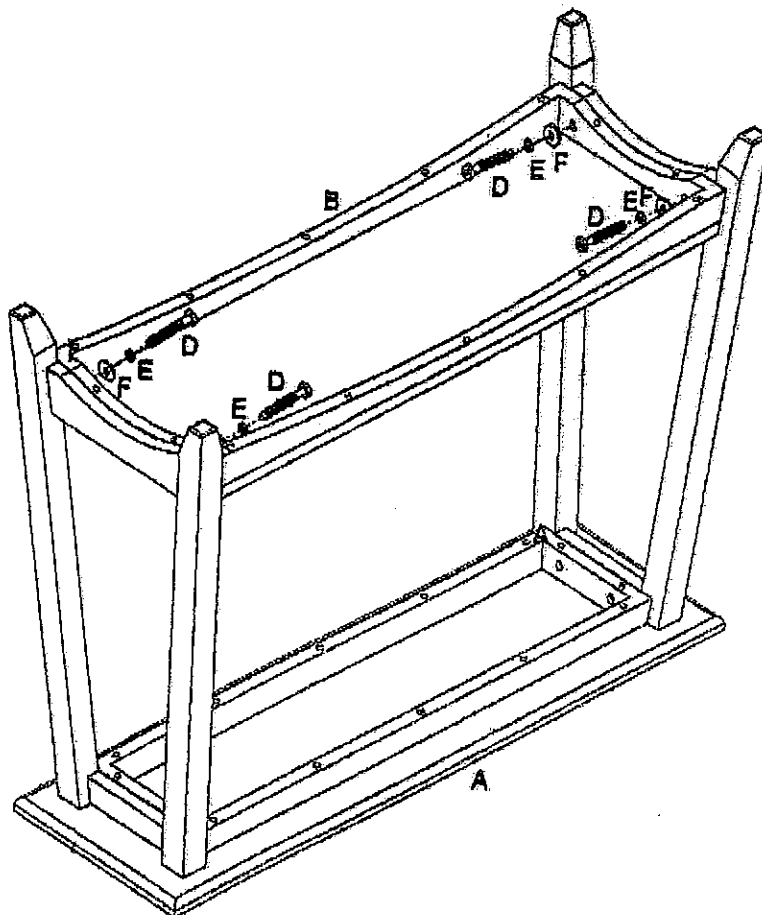
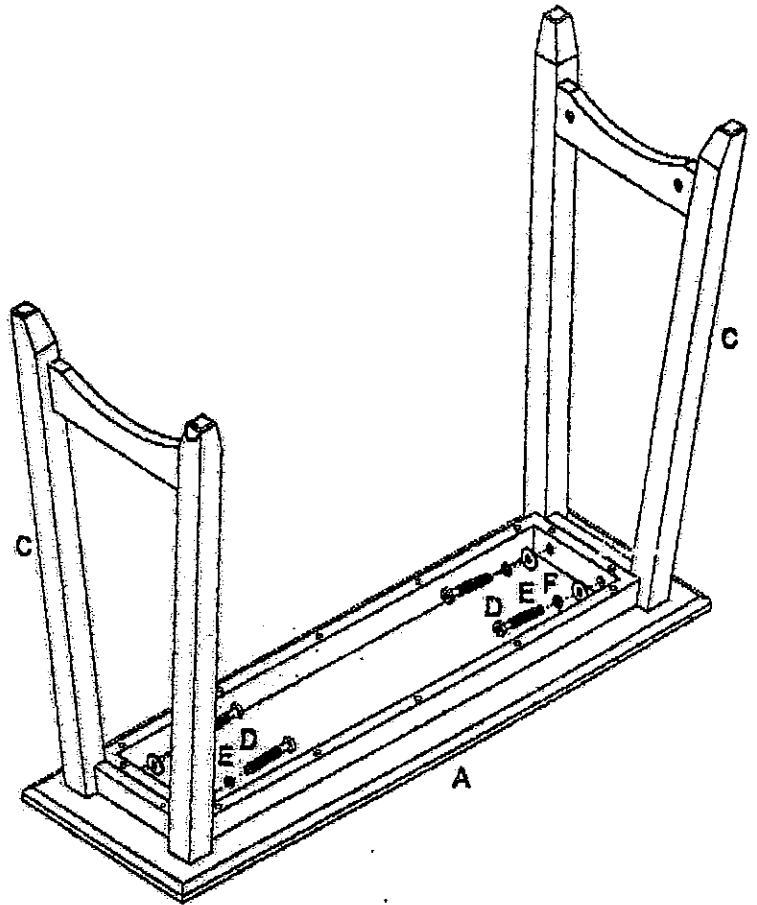
Assembly Instruction

PARTS AND HARDWARE LIST							
No.	Description	Q'ty	Description	No.	Description	Q'ty	Description
A	Table Top	1		E	Spring Washer	8	
B	Bottom Shelf	1		F	Flat Washer	8	
C	Side Frame	2		G	Allen Wrench	1	
D	Bolt	8					

IMPORTANT NOTE:

- Place all wooden parts on a clean and smooth surface such as a rug or carpet to avoid the parts from being scratching.
- Check to be sure that you have all parts and hardware.
- Remove all wrapping materials, including staples & packing straps before you start to assemble.
- Do not tighten all screws or bolts until all completely assembled.
- Keep all hardware parts out of reach of children.

Attach the 2 Side Frames (C) to the Table Top (A) with 4 Bolts (D), 4 Spring Washers (E) & 4 Flat Washers (F) by using the Allen Wrench (G) as figure show.



2

Connect the Bottom Shelf (B) to the unit assembled on step 1 with 4 Bolts (D), 4 Spring Washers (E) & 4 Flat Washers (F) by using the Allen Wrench (G) too, Then upside down it, now your new sofa table is ready to use!