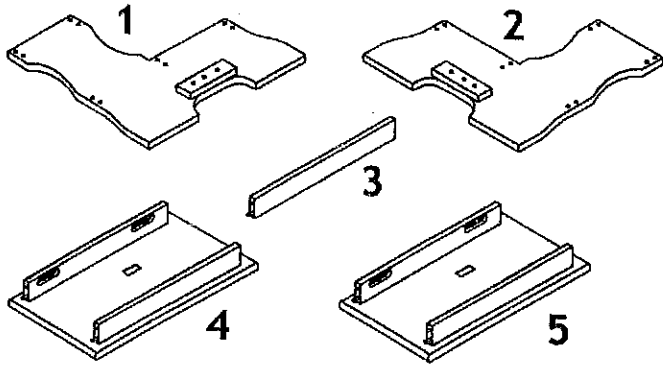
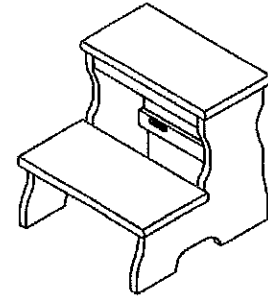


• Thank you for purchasing Whitewood Industries Inc. product. This product has been designed for easy assembly and constructed for durability. Please take the time to read and follow the assembly instructions carefully. If a part or hardware is missing or have any difficulties in assembling this product, Please contact Toll Free 1-888-944-8396.

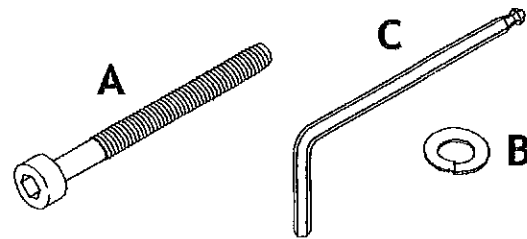
PARTS LIST (2 STOOLS) :

- | | | |
|---|--------------------------------------|--------|
| 1 | RIGHT SIDE FRAME | 2 PCS. |
| 2 | LEFT SIDE FRAME | 2 PCS. |
| 3 | BACK RAIL | 2 PCS. |
| 4 | UPPER STEP PANEL MARKED WITH "UPPER" | 2 PCS. |
| 5 | LOWER STEP PANEL MARKED WITH "LOWER" | 2 PCS. |



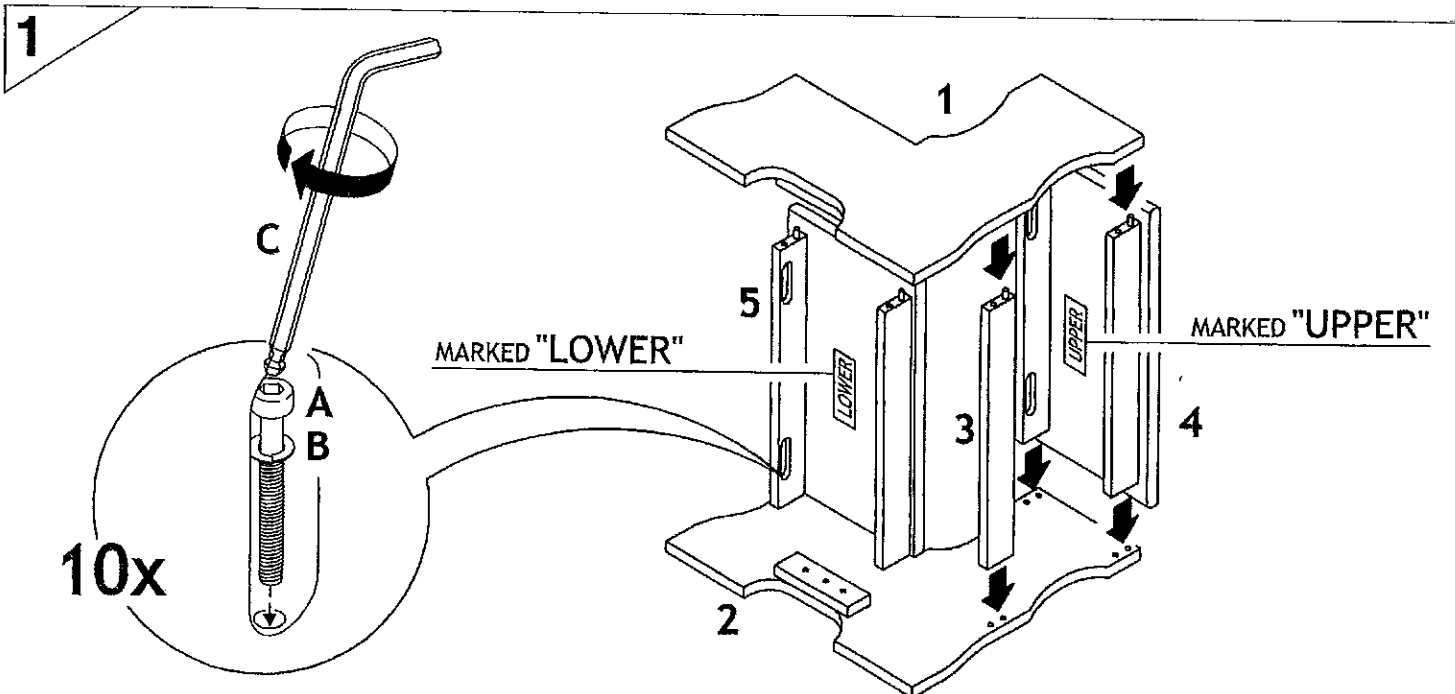
HARDWARE LIST (2 STOOLS) :

- | | | |
|---|--------------------|---------|
| A | JCCA SCREW-M6x50MM | 20 PCS. |
| B | LOCK WASHER | 20 PCS. |
| C | ALLEN KEY-LONG | 1 PC. |



IMPORTANT NOTE :

- Place all wooden parts on a clean and smooth surface such as a rug or carpet to avoid the parts from being scratched. Check to be sure that you have all parts and hardware. Remove all wrapping materials, including staples & packing straps before you start to assemble.
- Keep all hardware parts out of reach of children.
- **DO NOT TIGHTEN ALL BOLTS/SCREWS UNTIL ALL COMPLETELY ASSEMBLED.**



CARE AND MAINTENANCE !

- The touch of a soft cloth is all the maintenance your wood pieces will ever need. Never use harsh chemicals or abrasive cleaners, as they could mark or destroy finish.