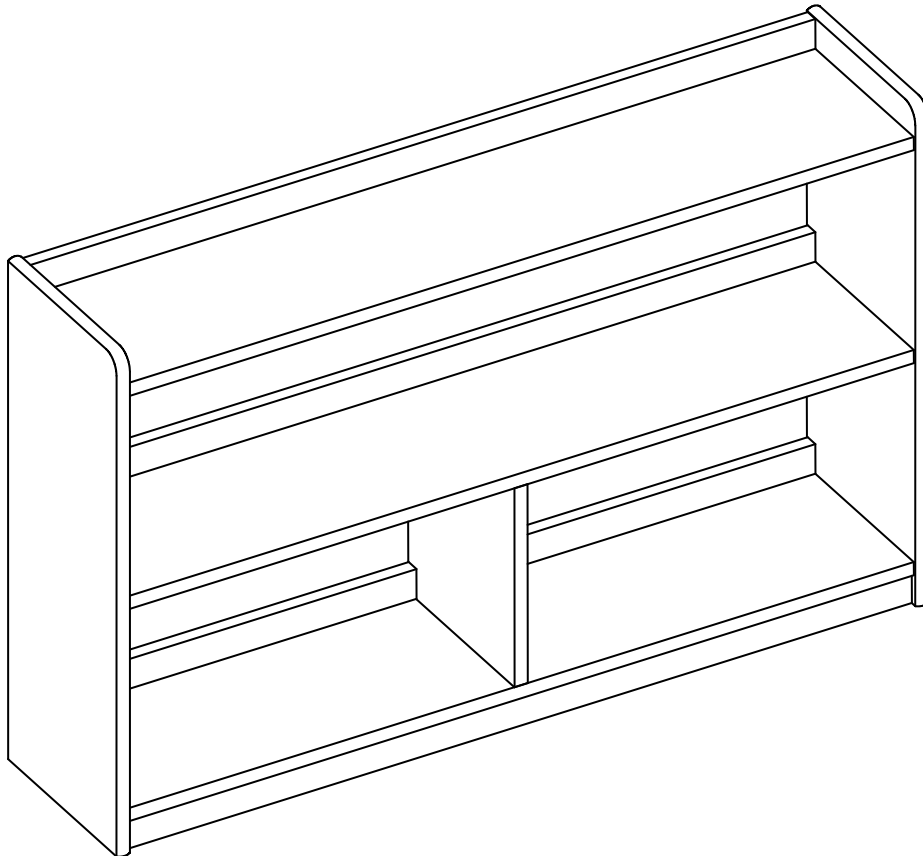


ASSEMBLY INSTRUCTIONS



Description : ABBY BOOKCASE 48X11X30H
Item No. : SH-14830

ITEM NO.: SH-14830
ISSUED MAY 26, 2017

Printed in Vietnam

BEFORE ASSEMBLY

Thank you for purchasing this quality product. This product has been designed for easy assembly and constructed for durability. All parts were checked prior to packaging to insure quality. Prior to beginning assembly, however, make sure all parts and hardware are included and free of obvious defect. If a part is missing or defective, please contact the store where purchased. If hardware is missing, or you need help with assembly, please call toll free 888-944-8396.

IMPORTANT NOTE:

- Place all wooden parts on a clean and smooth surface such as a rug or carpet to avoid the parts from being scratched.
- Remove all wrapping material, including staples & packing straps before you start to assemble.
- DO NOT tighten all screws and bolts until completely assembled.
- Keep all hardware parts out of reach of children.

WARNING:

Long exposure to rubber or soft plastic may cause a chemical reaction and damage the finish of your product. Protect the surface of the product with cloth if you are using any product with rubber feet or base.

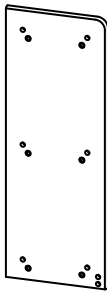
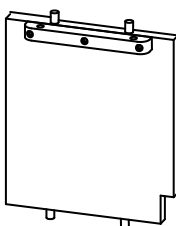
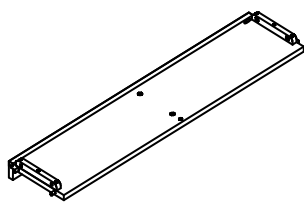
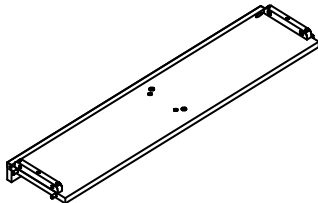
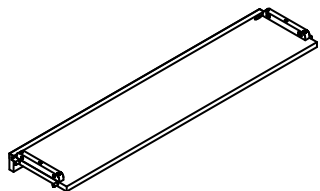
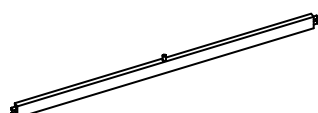
ASSEMBLY TOOLS REQUIRED

NOT INCLUDED



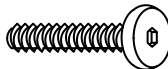


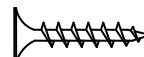
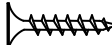
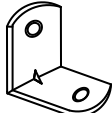
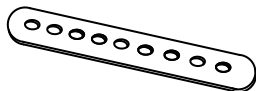

PART LIST

When unpacking, please be careful not to discard any parts with the packaging. Before continuing, please make sure you have the following parts:

NO	Description	Q'ty	Sketch	NO	Description	Q'ty	Sketch
A	Side panel (L-R)	2		B	Vertical panel	1	
C	Bottom panel	1		D	Center panel	1	
E	Top panel	1		F	Connector	1	

HARDWARE LIST

When unpacking, please be careful not to discard any parts with the packaging. Before continuing, please make sure you have all of the following hardware:

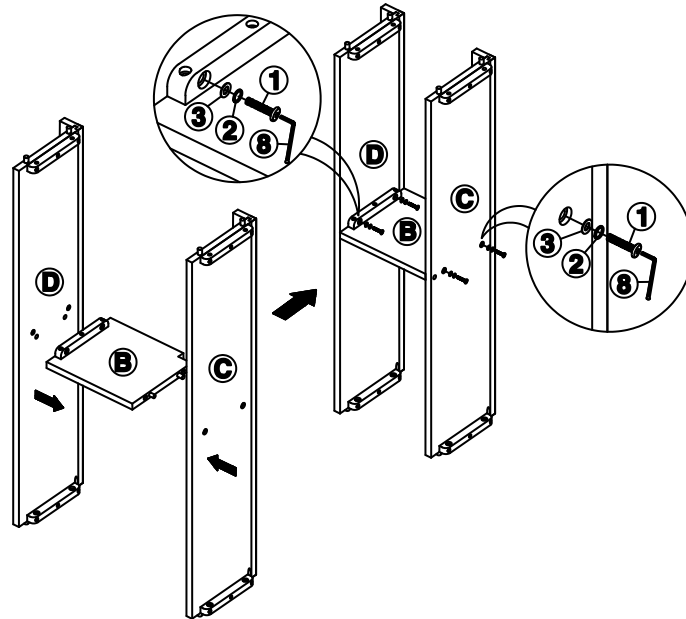
NO	Description	Q'ty	Sketch	NO	Description	Q'ty	Sketch
1	Bolt (M6 x 30mm)	16		2	Lock Washer (Φ6.5 x 11mm)	16	
3	Flat Washer (Φ6.5 x 13mm)	16		4	Long screw (M4 x 35mm)	10	
5	Short screw (M3.5 x 15mm)	10		6	L-bracket	3	
7	Steel band	2		8	Allen Key (M4 x 30mm x 110mm)	1	

ITEM NO.: SH-14830
ISSUED MAY 26, 2017

Printed in Vietnam

STEP 1

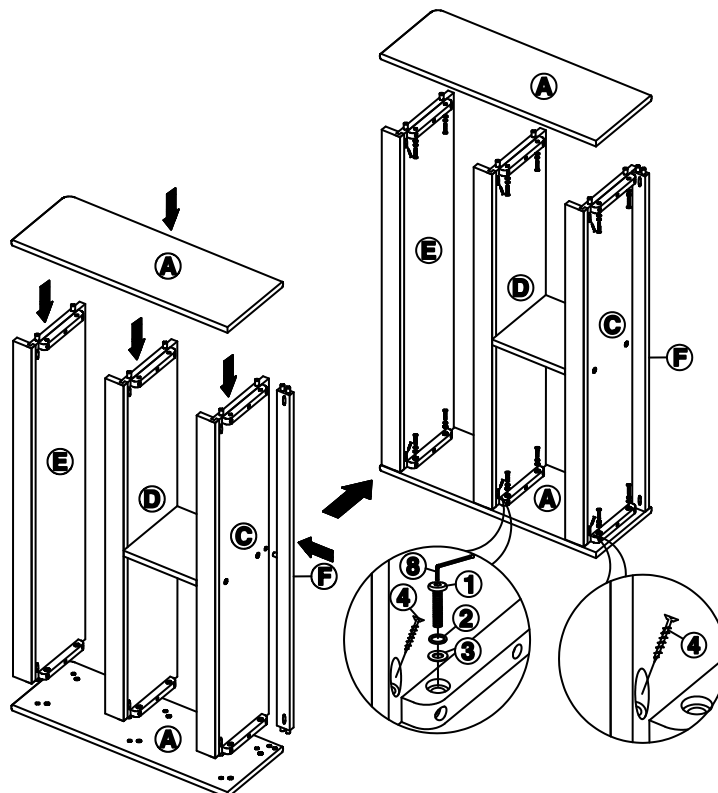
Insert vertical panel (B) into the bottom panel (C), and center panel (D) as shown below. Then attach vertical panel (B) to the bottom panel (C), and center panel (D) with bolts (1), and washers (2) and (3) as shown below. Tighten with Allen key (8).



STEP 2

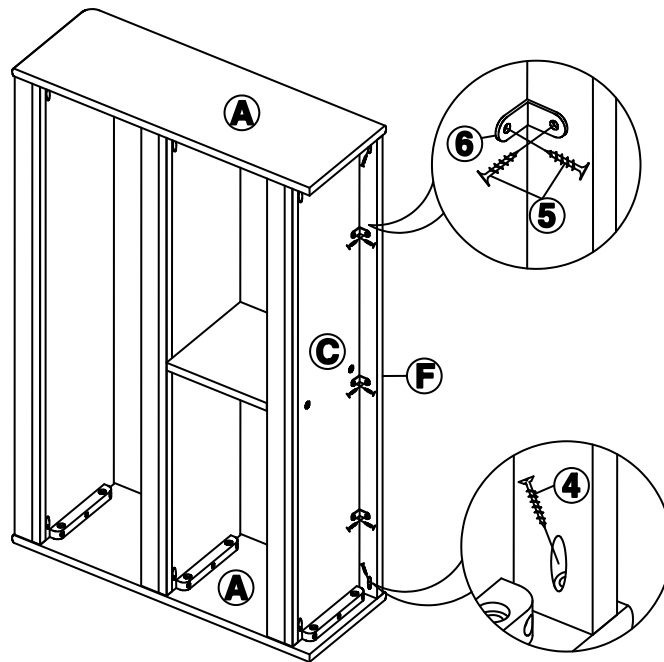
Insert connector (F), and bottom panel (C), and panels (D) and (E) into the side panels (A) as shown below. Then attach bottom panel (C), and panels (D) and (E) to the side panels (A) with bolts (1), and washers (2) and (3) as shown below. Tighten with Allen key (8).

Attach bottom panel (C), and panels (D) and (E) to the side panels (A) with screws (4) as shown below. Tighten with a screwdriver.



STEP 3

Attach connector (F) to side panels (A) with screws (4) as shown below. Tighten with a screwdriver. Attach L-brackets (6) to bottom panel (C) and connector (F) with screws (5) as shown below. Tighten with a screwdriver.



STEP 4

Attach steel bands (7) to the unit with screws (5) and attach steel bands (7) to the wall with screws (4) as shown below (to secure the product and prevent tipping). Tighten with a screwdriver.

