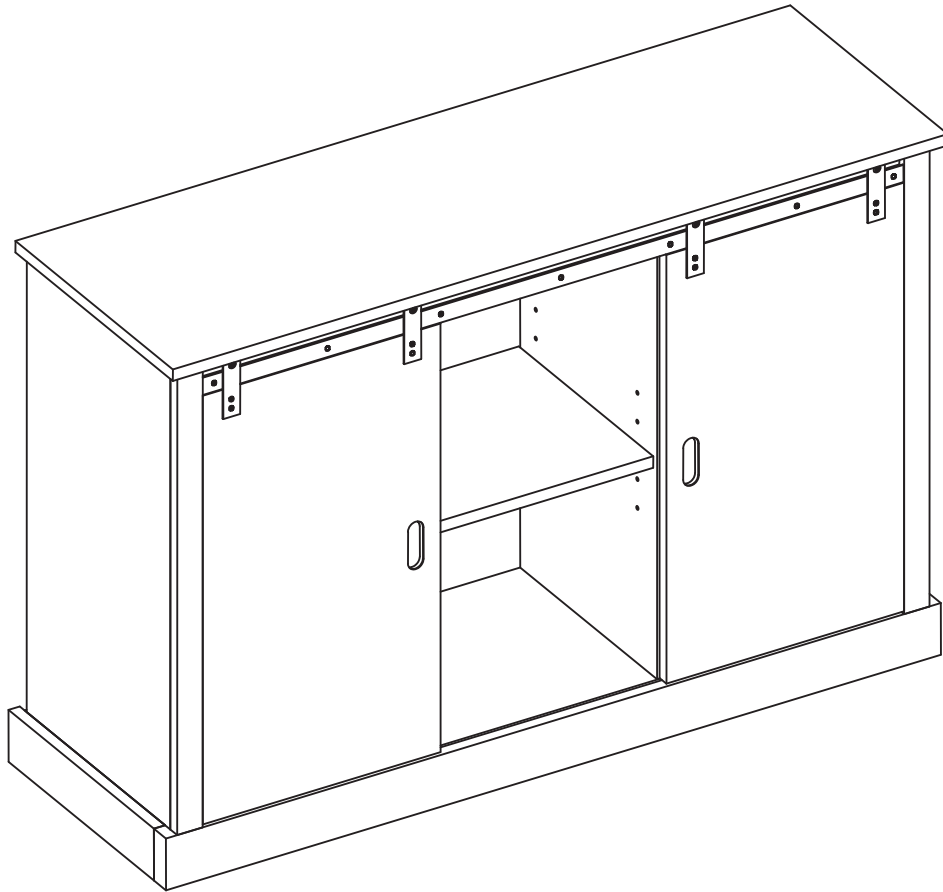


ASSEMBLY INSTRUCTIONS



Description : BARN DOOR TV STAND 54X18X36
Item No. : TV-64A AND TV-64B

ITEM NO.: TV-64A AND TV-64B
ISSUED JUL 14, 2017

Printed in Vietnam
THIS ITEM IS PACKED IN TWO CARTONS

BEFORE ASSEMBLY

Thank you for purchasing this quality product. This product has been designed for easy assembly and constructed for durability. All parts were checked prior to packaging to insure quality. Prior to beginning assembly, however, make sure all parts and hardware are included and free of obvious defect. If a part is missing or defective, please contact the store where purchased. If hardware is missing, or you need help with assembly, please call toll free 888-944-8396.

IMPORTANT NOTE:

- Place all wooden parts on a clean and smooth surface such as a rug or carpet to avoid the parts from being scratched.
- Remove all wrapping material, including staples & packing straps before you start to assemble.
- DO NOT tighten all screws and bolts until completely assembled.
- Keep all hardware parts out of reach of children.

WARNING:

- Long exposure to rubber or soft plastic may cause a chemical reaction and damage the finish of your product. Protect the surface of the product with cloth if you are using any product with rubber feet or base.

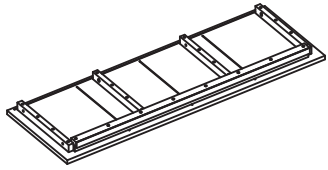
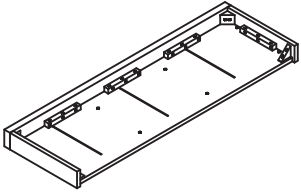
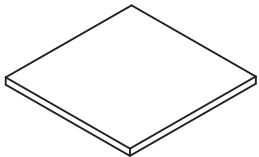
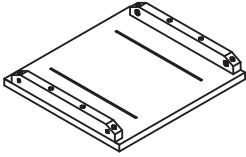
ASSEMBLY TOOLS REQUIRED

NOT INCLUDED



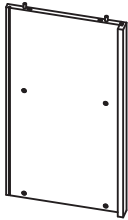
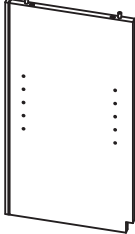
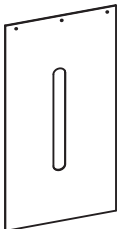
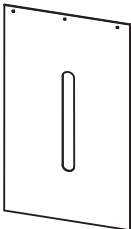
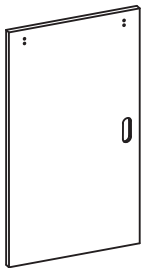
PART LIST TV-64A

When unpacking, please be careful not to discard any parts with the packaging. Before continuing, please make sure you have the following parts:

NO	Description	Qty	Sketch	NO	Description	Qty	Sketch
A	Top	1		B	Bottom	1	
C	Center Shelf	1		D	Shelf	2	

PART LIST TV-64B

When unpacking, please be careful not to discard any parts with the packaging. Before continuing, please make sure you have the following parts:

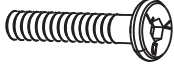






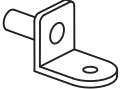

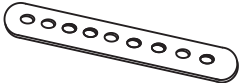

NO	Description	Qty	Sketch	NO	Description	Qty	Sketch
E	Side panel (L - R)	2		F	Vertical panel (L-R)	2	
G	Center Back Panel	1		H	Back panel	2	
I	Door (L-R)	2					

ITEM NO.: TV-64A AND TV-64B
ISSUED JUL 14, 2017

Printed in Vietnam
THIS ITEM IS PACKED IN TWO CARTONS

HARDWARE LIST

When unpacking, please be careful not to discard any parts with the packaging. Before continuing, please make sure you have all of the following hardware:

NO	Description	Qty	Sketch	NO	Description	Qty	Sketch
1	Bolt (M6 x 35mm)	24		2	Lock Washer (Ø6.5 x 11mm)	24	
3	Small Flat Washer (Ø6.5 x 13mm)	16		4	Large Flat Washer (Ø6.5 x 19mm)	8	
5	Pan head screw (M3.5 x 15mm)	17		6	Short Screw (M3.5 x 15mm)	8	
7	Long Screw (M4 x 35mm)	2		8	Shelf support bracket	4	
9	Pas Door	4		10	Steel band	2	
11	Allen key (M4 x 30mm x 110mm)	1					

NOTE: HARDWARE IS PACKED IN CARTON TV-64B.

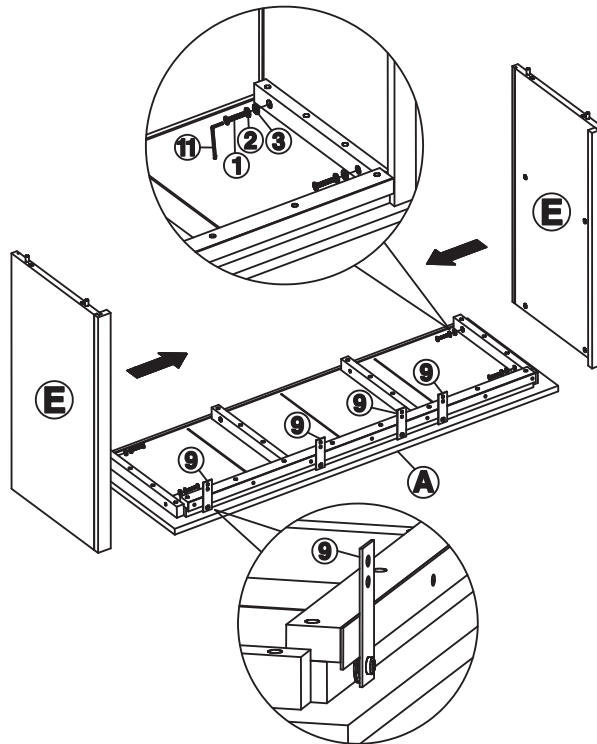
ITEM NO.: TV-64A AND TV-64B
ISSUED JUL 14, 2017

Printed in Vietnam
THIS ITEM IS PACKED IN TWO CARTONS

STEP 1

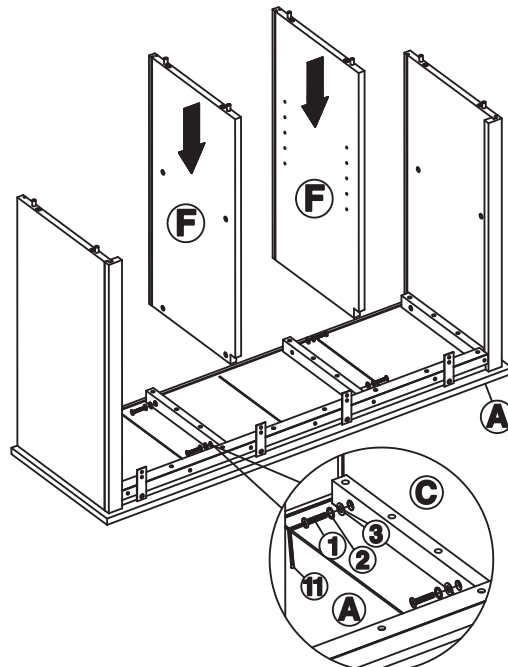
Attach side panels (E) to top (A) with bolts (1), and washers (2) and (3) as shown below. Tighten with Allen key (11).

Attach pas doors (9) to top (A) as shown below.



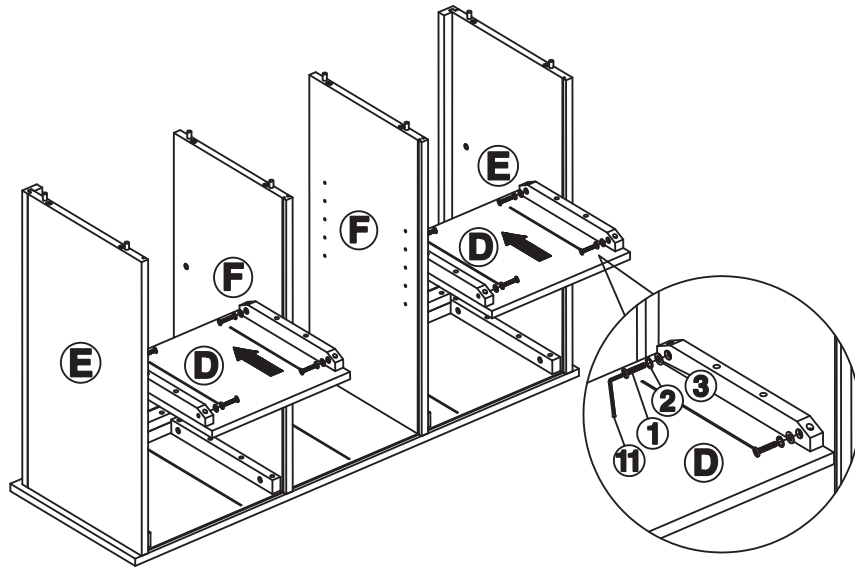
STEP 2

Attach vertical panels (F) to top (A) with bolts (1), and washers (2) and (3) as shown below. Tighten with Allen key (11).



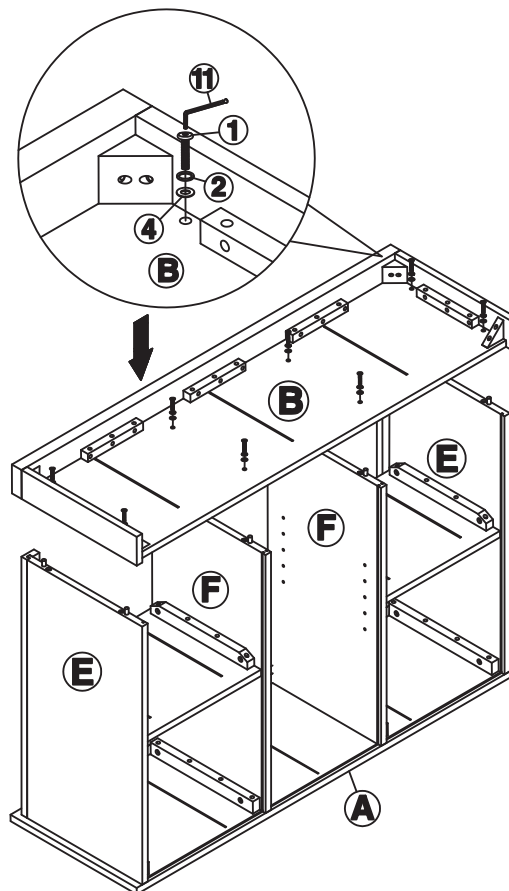
STEP 3

Attach shelves (D) to panels (E) and (F) with bolts (1), and washers (2) and (3) as shown below. Tighten with Allen key (11).



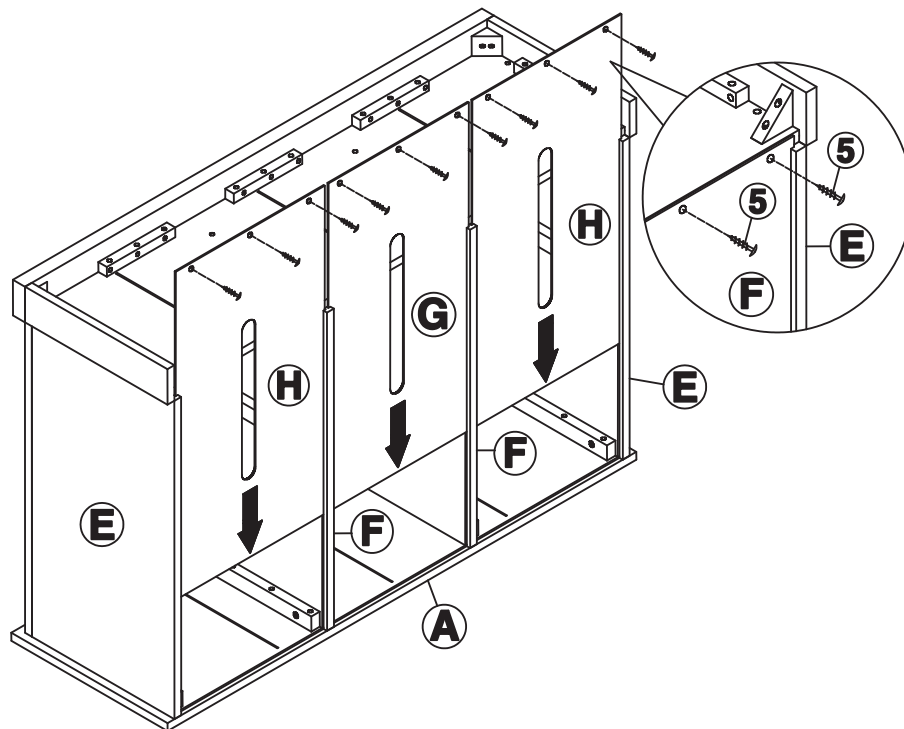
STEP 4

Attach bottom (B) to panels (E) and (F) with bolts (1), and washers (2) and (4) as shown below. Tighten with Allen key (11).



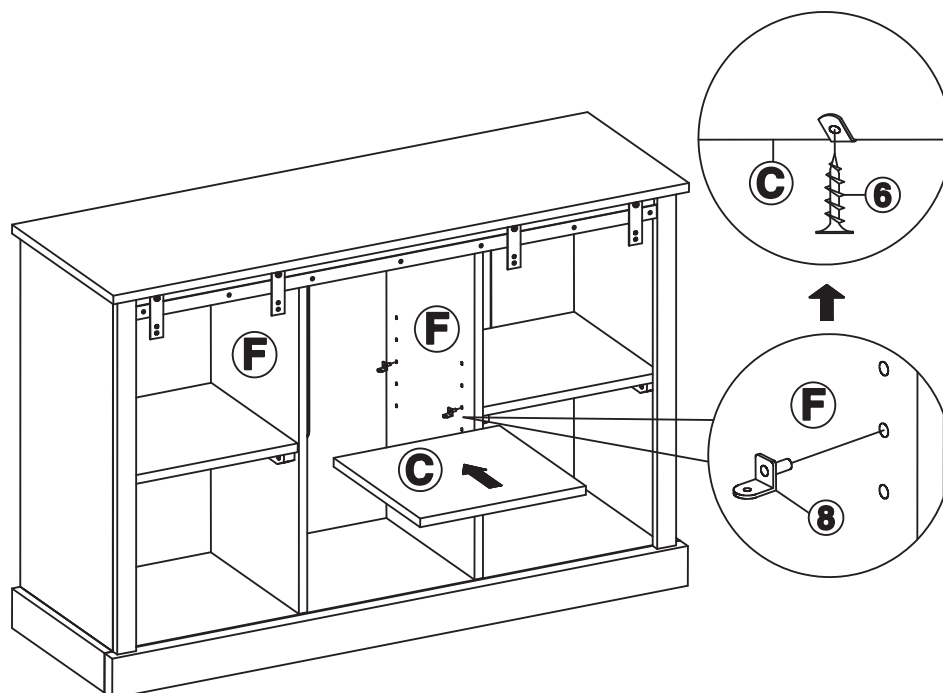
STEP 5

Slide back panels (H) and (G) into the grooves as shown below. Then attach back panels (H) and (G) to top (A) with screws (5). Tighten with a screwdriver.



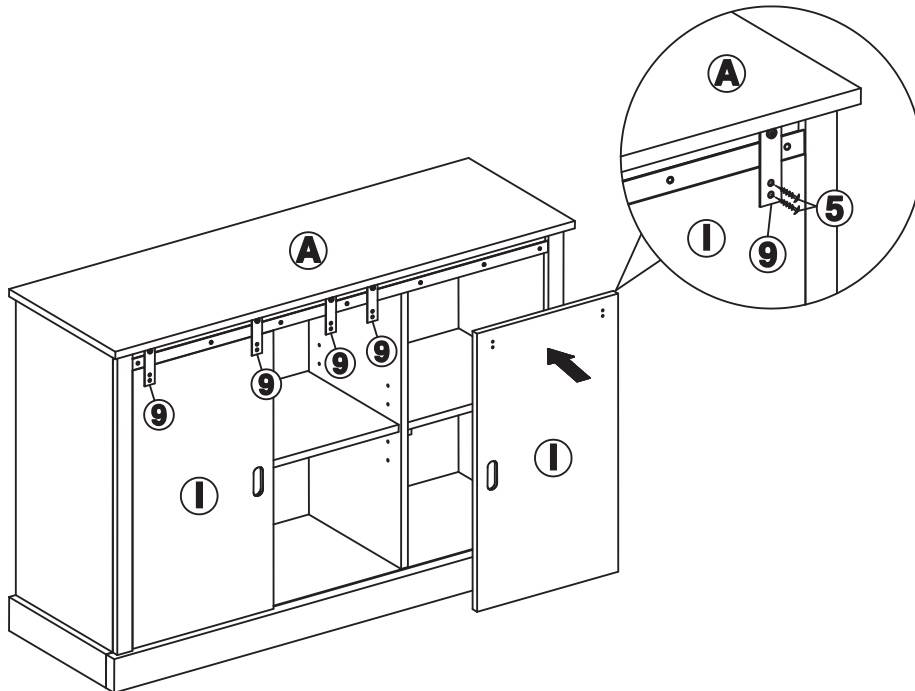
STEP 6

Insert brackets (8) into the unit as shown below. Place shelf (C) on the brackets and attach with screws (6). Tighten with a screwdriver.



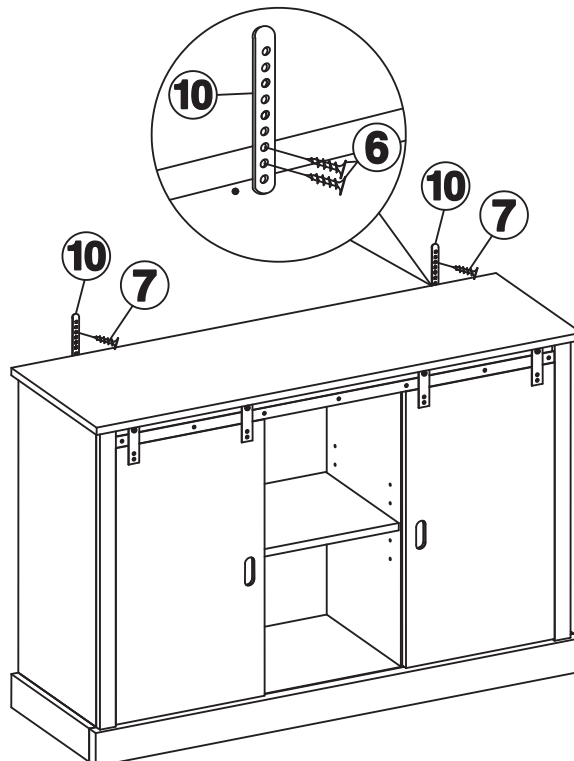
STEP 7

Attach pas doors (9) to doors (1) with screws (5) as shown below. Tighten with a screwdriver.



STEP 8

Attach steel bands (10) to the unit with screws (6) and attach the steel bands to the wall with screws (7) as shown below (to secure the product and prevent tipping). Tighten with a screwdriver.



ITEM NO.: TV-64A AND TV-64B
ISSUED JUL 14, 2017

Printed in Vietnam
THIS ITEM IS PACKED IN TWO CARTONS